



Designation: D6560 – 12



Designation: IP 143/01

Standard Test Method for Determination of Asphaltenes (Heptane Insolubles) in Crude Petroleum and Petroleum Products^{1,2}

This standard is issued under the fixed designation D6560; the number immediately following the designation indicates the year of original adoption or, in the case of revision, the year of last revision. A number in parentheses indicates the year of last reappraisal. A superscript epsilon (ϵ) indicates an editorial change since the last revision or reappraisal.

1. Scope*

1.1 This test method covers a procedure for the determination of the heptane insoluble asphaltene content of gas oil, diesel fuel, residual fuel oils, lubricating oil, bitumen, and crude petroleum that has been topped to an oil temperature of 260°C (see [A1.2.1.1](#)).

1.2 The precision is applicable to values between 0.50 and 30.0 % m/m. Values outside this range may still be valid but may not give the same precision values.

1.3 Oils containing additives may give erroneous results.

1.4 The values stated in SI units are to be regarded as standard. No other units of measurement are included in this standard.

1.5 *This standard does not purport to address all of the safety concerns, if any, associated with its use. It is the responsibility of the user of this standard to establish appropriate safety and health practices and determine the applicability of regulatory limitations prior to use.*

2. Referenced Documents

2.1 *ASTM Standards:*³

[D86](#) Test Method for Distillation of Petroleum Products at Atmospheric Pressure

[D1298](#) Test Method for Density, Relative Density, or API Gravity of Crude Petroleum and Liquid Petroleum Products by Hydrometer Method

¹ This test method is under the jurisdiction of ASTM Committee D02 on Petroleum Products, Liquid Fuels, and Lubricants and is the direct responsibility of Subcommittee D02.14 on Stability and Cleanliness of Liquid Fuels.

Current edition approved April 15, 2012. Published May 2012. Originally approved in 2000. Last previous edition approved in 2005 as D6560–00(2005). DOI: 10.1520/D6560-12.

² This standard is based on material published in the *IP Standard methods for Analysis and Testing of Petroleum and Related Products and British Standard 2000 Parts*, copyright Energy Institute, 61 New Cavendish Street, London, W1M 8AR. Adapted with permission of Energy Institute.

³ For referenced ASTM standards, visit the ASTM website, www.astm.org, or contact ASTM Customer Service at service@astm.org. For *Annual Book of ASTM Standards* volume information, refer to the standard's Document Summary page on the ASTM website.

[D4052](#) Test Method for Density, Relative Density, and API Gravity of Liquids by Digital Density Meter

[D4057](#) Practice for Manual Sampling of Petroleum and Petroleum Products

[D4177](#) Practice for Automatic Sampling of Petroleum and Petroleum Products

2.2 *Energy Institute Standard:*⁴

[Specifications for IP Standard Thermometers](#)

3. Terminology

3.1 *Definitions:*

3.1.1 *asphaltenes, n*—(rarely used in the singular) — *in petroleum technology*, represent an oil fraction that is soluble in a specified aromatic solvent but separates upon addition of an excess of a specified paraffinic solvent.

3.1.1.1 *Discussion*—In this test method, the aromatic solvent is hot toluene and the paraffinic solvent is heptane.

3.1.1.2 *Discussion*—Historically, benzene was the aromatic solvent, but benzene is not typically used now for health reasons. The precision of this test method when using toluene has been found to be the same as when using benzene.

4. Summary of Test Method

4.1 A test portion of the sample is mixed with heptane and the mixture heated under reflux, and the precipitated asphaltene, waxy substances, and inorganic material are collected on a filter paper. The waxy substances are removed by washing with hot heptane in an extractor.

4.2 After removal of the waxy substances, the asphaltene are separated from the inorganic material by dissolution in hot toluene, the extraction solvent is evaporated, and the asphaltene weighed.

5. Significance and Use

5.1 Asphaltene are the organic molecules of highest molecular mass and carbon-hydrogen ratio normally occurring in crude petroleum and petroleum products containing residual

⁴ Available from Energy Institute, 61 New Cavendish St., London, W1M 8AR, UK.

*A Summary of Changes section appears at the end of this standard

material. They may give problems during storage and handling if the suspension of asphaltene molecules is disturbed through excess stress or incompatibility. They are also the last molecules in a product to combust completely, and thus may be one indicator of black smoke propensity. Their composition normally includes a disproportionately high quantity of the sulfur, nitrogen, and metals present in the crude petroleum or petroleum product.

6. Apparatus

6.1 *General*—Ground-glass joints from different sources may have one of two diameter to length ratios. For the purposes of this test method, either is suitable, and for some applications, the diameter itself can be one of two. However, it is critical that the male and female parts of each joint are from the same series to avoid recession or protuberance.

6.2 *Condenser*, with a coil or double surface, fitted with a 34/45 or 34/35 ground-glass joint at the bottom to fit the top of the extractor. Minimum length is 300 mm.

6.3 *Reflux Extractor*, conforming to the dimensions given in Fig. 1. Tolerances are ± 1 mm on the height and outer diameter (OD) of the extractor body and ± 0.5 mm on all other dimensions. The female ground-glass joint at the top shall match the male at the bottom of the condenser, and the male ground-glass joint at the bottom shall match the female of the conical flask.

6.4 *Conical Flasks*, of borosilicate glass of appropriate capacity (see 11.2 and Table 1), with ground-glass joints to fit the bottom of the extractor.

NOTE 1—Sizes 24/39, 24/29, 29/43, or 29/32 are suitable.

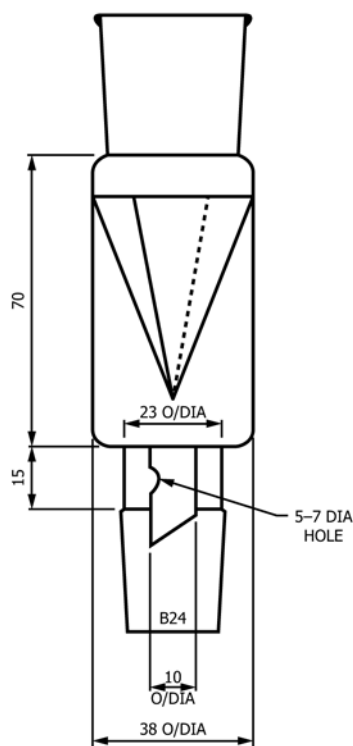


FIG. 1 Extractor

TABLE 1 Test Portion Size, Flask, and Heptane Volumes

Estimated Asphaltene Content % m/m	Test Portion Size g	Flask Volume mL	Heptane Volume mL
Less than 0.5	10 \pm 2	1000	300 \pm 60
0.5 to 2.0	8 \pm 2	500	240 \pm 60
Over 2.0 to 5.0	4 \pm 1	250	120 \pm 30
Over 5.0 to 10.0	2 \pm 1	150	60 \pm 15
Over 10.0 to 25.0	0.8 \pm 0.2	100	25 to 30
Over 25.0	0.5 \pm 0.2	100	25 \pm 1

6.5 *Stopper*, of borosilicate glass of a size to fit the conical flask.

6.6 *Evaporating Vessel*, of borosilicate glass. Either a hemispherical dish of approximately 90 mm diameter, or another suitable vessel used in conjunction with a rotovapor.

NOTE 2—A rotovapor in conjunction with a nitrogen atmosphere reduces the hazard of toluene evaporation (see 11.7).

6.7 *Filter Funnel*, of borosilicate glass, approximately 100 mm diameter.

6.8 *Filter Papers*, Whatman⁵ Grade 42, 110 or 125-mm diameter.

6.9 *Analytical Balance*, capable of weighing with an accuracy of 0.1 mg.

6.10 *Forceps*, of stainless steel, spade ended.

6.11 *Timing Device*, electronic or manual, accurate to 1.0 s.

6.12 *Oven*, capable of maintaining a temperature from 100 to 110°C.

6.13 *Graduated Cylinders*, of 50 and 100 mL capacity.

6.14 *Stirring Rods*, of glass or polytetrafluoroethylene (PTFE), 150 by 3-mm diameter.

6.15 *Cooling Vessel*, consisting of either a desiccator without desiccant, or another suitable tightly-stoppered vessel.

6.16 *Mixer*, high-speed, nonaerating.

7. Reagents

7.1 *Toluene (methylbenzene)* [C₆H₅CH₃], analytical reagent or nitration grade.

7.2 *Heptane* [C₇H₁₆], analytical reagent grade.

8. Sampling

8.1 Unless otherwise specified, take samples by the procedures described in Practice D4057 or D4177.

9. Test Portion Preparation

9.1 Test portions from the laboratory samples shall be drawn after thorough mixing and subdivision. Heat viscous samples of residual fuels to a temperature that renders the

⁵ The sole source of supply of the filter papers known to the committee at this time is Whatman Int. Ltd., Maidstone, UK. If you are aware of alternative suppliers, please provide this information to ASTM International Headquarters. Your comments will receive careful consideration at a meeting of the responsible technical committee,¹ which you may attend.